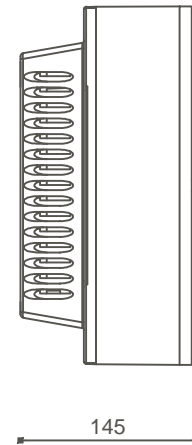
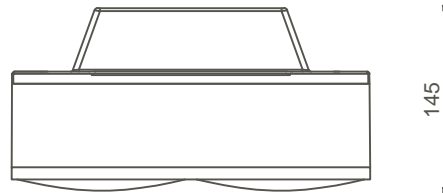
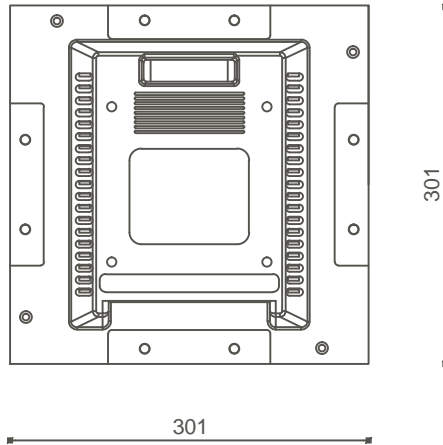
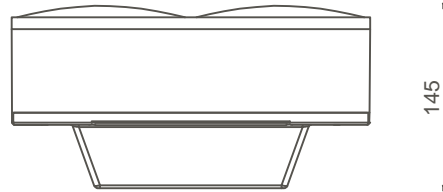
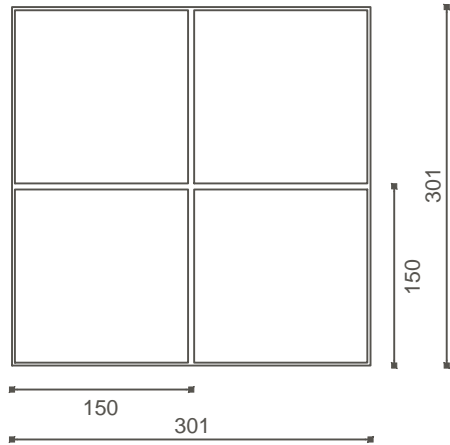


IMAGE-LED Lighting System

BOKY15 (BK-13021)



|주|  인터내셔널
www.zcell.kr

304-10 Ohyang-Ri Silchon-Eup Gwangju-Si Kyeonngi-Do. 464-875 Korea
Tel 02-525-8929 Fax 02-525-8928

PROJECT NAME

TITLE NAME
BOKY15 (BK-13021)

REVISIONS
DATE 1. _____
DATE 2. _____
DATE 3. _____

APPROVED BY

CHECKED BY

DRAWING BY

MEMO

SCALE
A3 : 1/5

DRAWING NO.

DATE
2010. 4

SHEET NO.