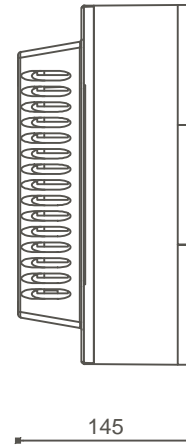
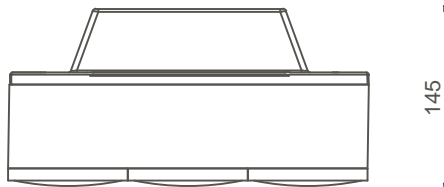
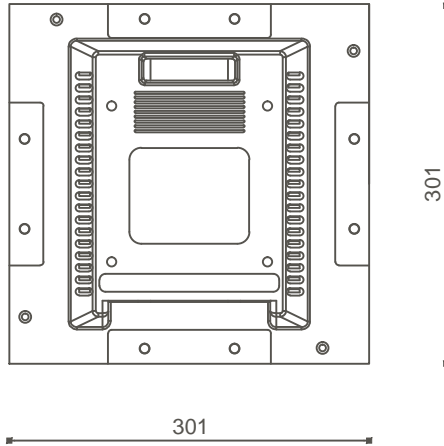
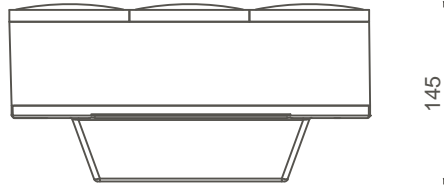
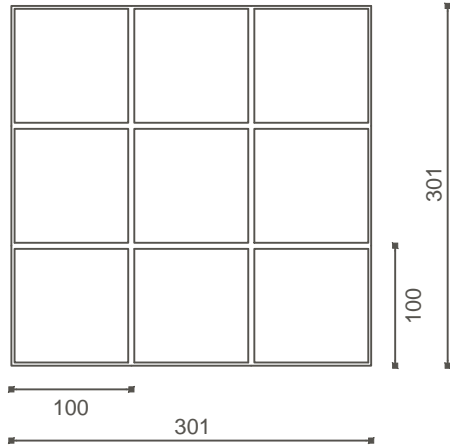


IMAGE-LED Lighting System

# BOKY10 (BK-13011)



|주  인터내셔널  
www.zcell.kr

304-10 Ohyang-Ri Silchon-Eup Gwangju-Si Gyeonggi-Do, 464-875 Korea  
Tel 02-525-6929 Fax 02-525-6928

PROJECT NAME
TITLE NAME <b>BOKY10 (BK-13011)</b>
REVISIONS DATE 1. _____ DATE 2. _____ DATE 3. _____
APPROVED BY
CHECKED BY
DRAWING BY
MEMO
SCALE A3 : 1/5
DRAWING NO.
DATE 2010. 4
SHEET NO.